

# **FORMULA DRIFT**<sup>®</sup>

**PRO Technical Regulations**

**2016**

**U.S. Version 2.0**

## Contents

1.	COMPETITION VEHICLES .....	4
1.1	VEHICLE ELIGIBILITY	4
1.2	VEHICLE ELIGIBILITY INSPECTIONS	4
1.3	RETENTION OF VEHICLES AND PARTS-	5
1.4	PARTICIPANT OBLIGATIONS-	5
1.5	MAINTENANCE OF VEHICLE ELIGIBILITY-	5
1.6	VEHICLE MODIFICATIONS	5
1.7	VEHICLE DAMAGE	6
2.	CHASSIS.....	6
2.1	CHASSIS MODIFICATIONS	6
2.2	ROLL CAGE	9
2.3	BALLAST	12
2.4	BUMPERS	12
3.	SUSPENSION AND BRAKES.....	13
3.1	FRONT SUSPENSION	13
3.2	STEERING	14
3.3	REAR SUSPENSION- LIVE AXLE	14
3.4	REAR SUSPENSION- INDEPENDENT	15
3.5	BRAKE SYSTEM	16
3.6	WHEELS	16
4.	DRIVETRAIN .....	16
4.1	ENGINE	16
4.2	COOLING SYSTEM	16
4.3	OIL SYSTEM	18
4.4	FUEL SYSTEM	18
4.5	NITROUS OXIDE	18
4.6	EXHAUST SYSTEM	19
4.7	STARTER	19
4.8	TRANSMISSION	19
4.9	DRIVESHAFT	19
4.10	TRACTION CONTROL	19
4.11	DATA	19
5.	ELECTRICAL SYSTEM.....	20
5.1	BATTERY	20
5.2	MASTER CUTOFF	21
6.	BODY EXTERIOR AND INTERIOR .....	21
6.1	BODY PANELS	21
6.2	WING	22
6.3	WINDSHIELD	23
6.4	WINDOWS and WINDOW RESTRAINTS	23
6.5	WIPERS	23
6.6	MIRRORS	23
6.7	HOOD PINS	23
6.8	DECALS	23
6.9	TOWING APPARATUS	24
6.10	LIGHTS	25
6.11	INTERIOR	25
6.12	DASHBOARD	25
6.13	STEERING WHEEL	25
7.	DRIVER'S SAFETY EQUIPMENT .....	25
7.1	HELMET	25
7.2	DRIVING SUIT	26
7.3	EYE GLASSES	27
7.4	SEATS	27
7.5	SEAT BELTS	27
7.6	ARM RESTRAINTS	29
7.7	HEAD AND NECK RESTRAINTS	29
7.8	FIRE SUPPRESSION SYSTEM	29
8.	TIRES.....	30
8.1	TIRE ELIGIBILITY	30
8.2	APPROVED TIRES	30
8.3	TIRE SIZE REGULATIONS	31
8.4	TIRE TO WEIGHT COMPLIANCE	32
8.5	REQUESTING TIRE ELIGIBILITY	33

## Introduction

We are pleased to provide you with the 2016 edition of the Technical Regulation for the FORMULA DRIFT Championship.

This edition of the rules establishes the foundation for the organization and conduct of the FORMULA DRIFT Championship. Participants, teams, drivers, and officials are strongly encouraged to review these rules carefully.

FORMULA DRIFT wishes you a safe and successful competition season.

### FORMULA DRIFT Holdings, LLC

2161 Gundry Avenue  
Signal Hill, CA 90755  
562-901-2600 (phone)  
562-901-2651 (fax)

### General Inquiries

[info@formulad.com](mailto:info@formulad.com)

### Technical Inquiries

[kevin@formulad.com](mailto:kevin@formulad.com)

### Media Inquiries

[john@theidagency.com](mailto:john@theidagency.com)



The  
**FUN**  
starts  
with **K&K**

As a trusted provider of motorsports insurance, K&K is committed to helping your business succeed by offering high-quality coverage and services designed for your needs. K&K's expertise is respected throughout the industry; we are your solution for affordable insurance coverage. It's easy to work with K&K—visit our website now for more information.

- Professional Teams
- Amateur Teams
- Owners & Sponsors
- Drivers
- Facilities & Events
- Racing Service & Repair Shops

### Products Liability Coverage

For Manufacturers, Importers, and Distributors of:

- Racing equipment & parts
- Critical auto parts
- Street rods, kit cars & collector car kits
- Auto, motorcycle & truck parts



- Competitive rates and coverage
- Extensive specialty insurance and claims knowledge
- Secure market with over 60 years of experience

**K&K**  
**INSURANCE**  
Insuring the world's fun!

**800.348.1839**

[www.kandkinsurance.com](http://www.kandkinsurance.com)

## **1. COMPETITION VEHICLES**

### **1.1 VEHICLE ELIGIBILITY**

- A. Eligible models must be considered a “production vehicle” and have had a minimum build run of 600 units in each model year.
- B. Eligible body styles include: coupe, sedan, convertible or wagon and have no more than 5 doors.
- C. Vehicles must maintain the original OEM steel unibody and/or steel frame structure between the OEM front and rear suspension mounting points.
- D. No trucks or SUVs will be allowed.
- E. Vehicles that do not meet the above eligibility criteria must petition for approval from FORMULA DRIFT.

### **1.2 VEHICLE ELIGIBILITY INSPECTIONS**

#### **1.2.1 VEHICLE ANNUAL TECHNICAL INSPECTIONS-**

Prior to the first time a vehicle is entered into any EVENT for the current season; the TECHNICAL MANAGER will issue a FORMULA DRIFT VEHICLE IDENTIFICATION (VID) number/sticker and conduct an annual inspection of each vehicle. Upon verification of compliance to the rules, an annual tech sticker will be issued and affixed to the main roll bar hoop at driver’s left. Only vehicles that have passed the annual Inspection, and have an annual tech sticker affixed, will be allowed to compete unless approved by the TECHNICAL MANAGER.

Issuance of the tech sticker is not an endorsement of the performance of the vehicle, nor an indication that the vehicle meets all of the required Technical Specifications. The tech sticker signifies that the vehicle has passed the initial Safety Inspection and will be permitted to go on course during scheduled FORMULA DRIFT practice, qualifying and drift sessions.

The annual tech sticker will be withheld from any vehicle that does not comply with the required Safety Specifications. If the tech sticker is withheld, it is the team’s responsibility to meet with the TECHNICAL MANAGER to determine what action is required to achieve compliance. The TECHNICAL MANAGER shall maintain inspection records of each entered vehicle.

To be eligible for competition in an EVENT, all vehicles must have:  
A FORMULA DRIFT VEHICLE IDENTIFICATION number (VID)  
A current annual technical inspection sticker

During Technical Inspection, there may only be one person from the team serving as a representative for the vehicle being inspected. The area should be closed off and private. All other personnel must leave area.

#### **1.2.2 VEHICLE EVENT TECHNICAL INSPECTIONS-**

At a time and place and in a manner determined by event officials, prior to racing activities of any nature (including without limitation qualifying, competition, practice, testing, etc.) all vehicle and driver equipment must undergo a technical inspection.

In addition, every vehicle is subject to further technical inspection at any time before, during or after an event, at the time and in the place and manner directed by any event official. Formula Drift may at any time inspect, seal for inspection, and/ or tear down a participant’s vehicle. Not complying in full with any inspection request will result in disqualification for further competition and such other penalties as deemed appropriate by Formula Drift. All determinations by event officials regarding the timing and method of technical inspection shall be final and not subject to appeal or review.

Technical inspection assists event officials with determining, in their judgment, eligibility for participation in an event. The technical inspection does not in any way change the fact that the driver, the crewmembers, and the vehicle owner are ultimately responsible for the safety and operation of the vehicle and equipment.

The participant agrees that participant is in the best position to know about the construction and operation of participant's vehicle, equipment, and clothing, and whether there has been compliance with all Formula Drift rules, regulations and agreements, including but not limited to those contained in the Rulebook. Moreover, in the case of technical violations, the participant acknowledges, understands and agrees that the participant is charged with full knowledge of every component of participant's vehicle and that even if a third party has caused the participant's vehicle to be noncompliant, the participant will still be responsible for and charged with any applicable violation and sanction. Disclaiming knowledge of the particular part or parts, or disclaiming knowledge of the rule or rules, or disclaiming responsibility for the actions of the third party, will not be defenses to any violation or any sanction therefor.

### **1.3 RETENTION OF VEHICLES AND PARTS-**

Participant hereby grants Formula Drift, and each of their agents and assigns, full and unconditional permission to collect and retain vehicles, parts of vehicles, equipment, or any other Items used in conjunction with participation that are owned by or in the possession of participant or present at an event (collectively "Items"), including such Items that may be relevant incident to the investigation of an incident; the inspection or testing of such Items; or for any other purpose. Formula Drift may exercise this right to take and retain Items at any time when Formula Drift determines in its sole and absolute discretion that such actions are necessary. Participant fully releases Formula Drift from any liability whatsoever for loss of, damage to, or destruction of any such Items. When an item is suspected of being out of compliance with a Formula Drift rule, or when an item has been involved in an incident, Formula Drift may in its sole and absolute discretion collect and retain such Items if Formula Drift believes it is necessary to do so to further investigate, make a final determination, and/or preserve evidence, all in Formula Drift's sole and absolute discretion. At any time that Formula Drift collects and retains Items, Formula Drift will try to safeguard such Items and return such Items when Formula Drift has completed its work with them, but Formula Drift makes no representation or warranties that the Items will not be lost, damaged, destructively tested, destroyed or otherwise affected. Formula Drift is not responsible for payment, reimbursement, damage or loss to the participant as a result of compliance testing. If Formula Drift believes that an item should be retained or destroyed, or indefinitely or permanently retained, to prevent further use of such item in competition, Formula Drift may so retain or destroy such item.

### **1.4 PARTICIPANT OBLIGATIONS-**

Participants must take whatever steps requested by a Formula Drift Official, including tear down of the vehicle and removal of parts to facilitate inspection of race equipment. This obligation includes, but is not limited to, installing inspection holes, inspections ports, and/or other means of inspections in the frame, roll cage bars, suspension components, and the like. Formula Drift is not responsible for payment, reimbursement, damage or loss to the participant as a result of such inspections.

### **1.5 MAINTENANCE OF VEHICLE ELIGIBILITY-**

It is the responsibility of the team to maintain a vehicle's eligibility.

### **1.6 VEHICLE MODIFICATIONS**

Any vehicle which after being issued an annual technical inspection sticker by the TECHNICAL MANAGER is dismantled, or modified, or in any way changed which might affect its safety or call into question its eligibility, or which is involved in an accident with similar consequences, must be re-presented by the team for approval. It is the responsibility of the team to notify the TECHNICAL MANAGER of any modifications.

## 1.7 VEHICLE DAMAGE

If a vehicle is damaged due to an accident or other incident, the TECHNICAL MANAGER may remove the annual tech sticker. A new tech sticker may be issued after the vehicle is re-inspected or repaired and then re-inspected. It is the responsibility of the team to notify the TECHNICAL MANAGER of any and all damage.

## 2. CHASSIS

### 2.1 CHASSIS MODIFICATIONS

- A. The original OEM floorpan, frame and or unibody must remain unmodified between the vertical planes created by the original forward most and rear ward most suspension point or subframe mounting point.
- B. Unibody or chassis may be stitch or seam welded.
- C. Plating of chassis is prohibited.
- D. Front suspension examples are in Figure 1 and 2.
- E. Rear suspension examples are in Figures 3 and 4.

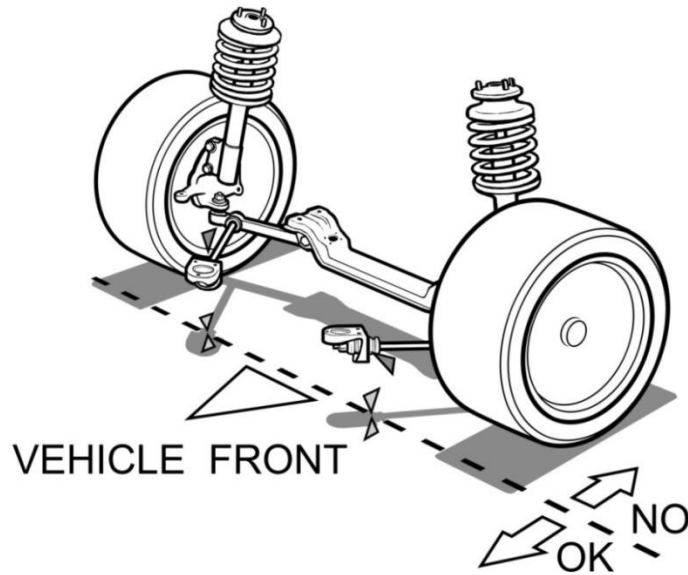


Figure 1

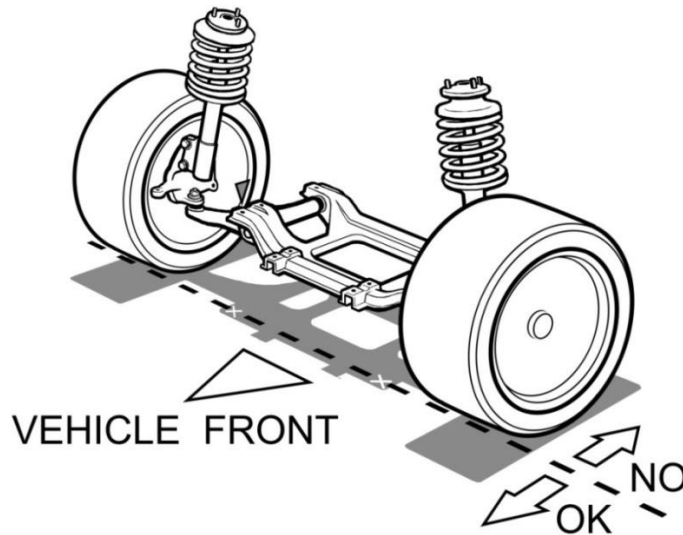


Figure 2

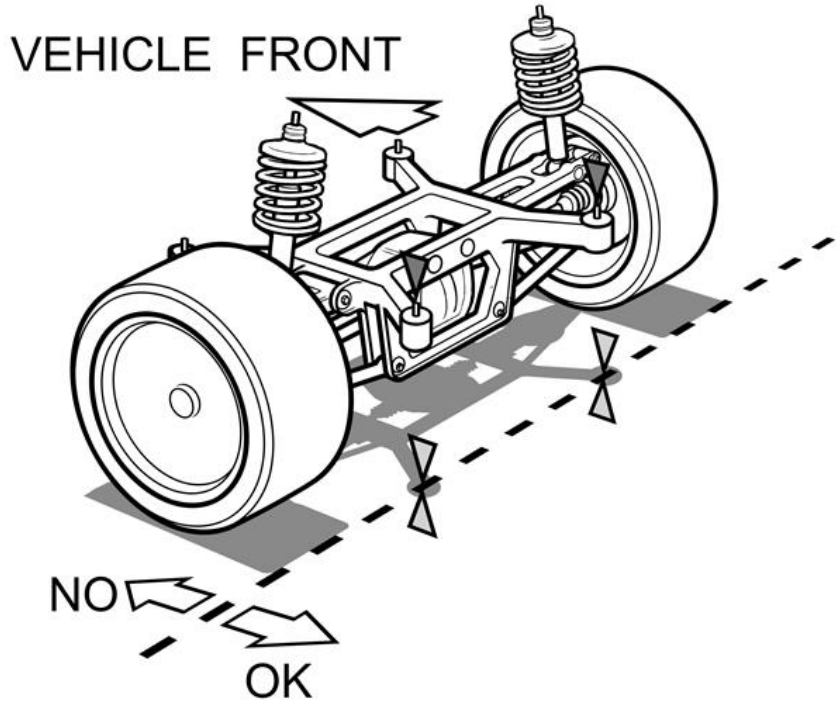


Figure 3

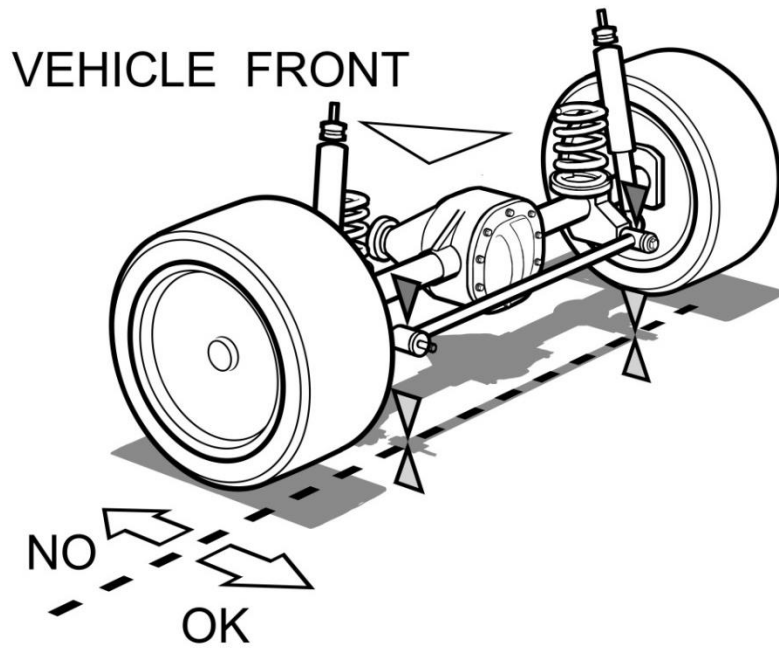
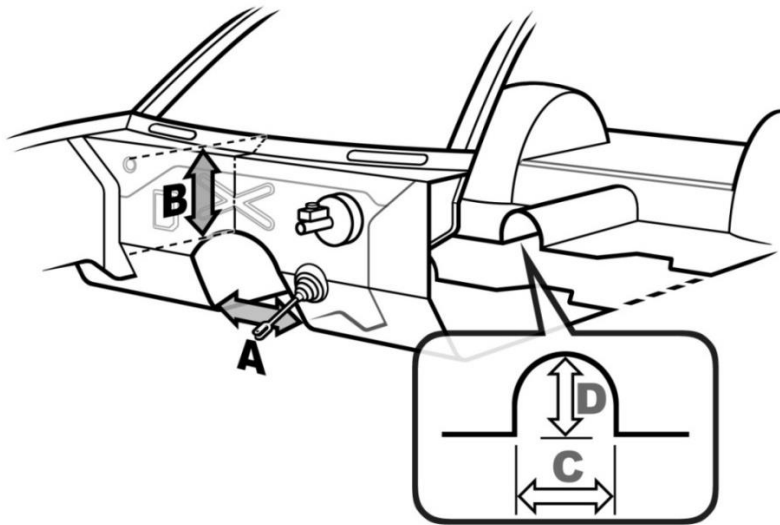


Figure 4

- F. The original OEM floorpan, frame and or unibody must remain unmodified between the horizontal planes created by the original floorpan at the lowest horizontal plane to the roof at its highest horizontal plane. With the exception of transmission tunnel and firewall dimensions listed below and Fuel cell rule.
- G. Items in the unmodified zone that are allowed to be removed can include original rear window parcel shelf, tabs or mounts for unused OEM steering columns, unused OEM windshield wiper mounts, and the exterior roof panel can be replaced with a composite panel.
- H. Rear suspension tower cross-members located at the top of the rear suspension towers may be removed from the unibody interior only if a suitable replacement structure of equivalent strength is installed.
- I. No part of the engine casing may cross the vertical threshold of the original firewall into the transmission tunnel.
- J. No other modifications may be made to the vehicle chassis, frame, or unibody.
- K. Any holes in the firewall must be of the minimum size for the passage of controls and wires, and must be completely sealed to prevent the passage of fluids or flames from the engine compartment to the drivers compartment.

**2.1.1 FIREWALL AND TRANSMISSION TUNNEL MODIFICATIONS-**

- A. Modifications of the stock, OEM firewall and transmission tunnel are in Figure 5:



**Figure 5**

- B. Dimension A: Tunnel Width may be no wider than 18 inches
- C. Dimension B: Minimum dimension of 10 inches between the bottom of the windshield and the top of the transmission tunnel.
- D. Dimension C: Modifications to drive shaft tunnels behind the engine firewall vertical plane should not exceed an overall width of 10.000 inches.
- E. Dimension D: Modifications to drive shaft tunnels behind the engine firewall vertical plane should not exceed an overall width of 10.000 inches.
- F. Taper Length from the firewall to the end of the transmission tunnel into the beginning of the drive shaft hump may be no longer than 36 inches.
- G. Modifications to firewall and transmission tunnel must be done with .036-inch steel or .059-inch aluminum.



## **2.2 ROLL CAGE**

### **2.2.1 GENERAL-**

- A. All roll cage structures must be designed in an attempt to protect the occupants from any angle, 360 degrees.
- B. The roll cage shall attach to the chassis/unibody in eight points.
- C. Gussets of such as dimple die plates are allowed along A-pillar, B-pillar, and roof structure. Gussets shall be made from steel plate no thicker than .125-inch.
- D. No gussets or attachment of any form may pass from the door bars to the chassis, unibody, or rocker panel.
- E. Plating of chassis is prohibited.
- F. Bolt in roll cages are not allowed.
- G. No portion of the cage may permeate the firewall and shall be fully contained within the driver's compartment.
- H. No additional bracing maybe used between the strut tower and the firewall.
- I. Any number of additional reinforcing bars, gussets or supports is permitted within the confines of the roll cage.
- J. Modifications to the chassis or notching for roll cage clearance must have prior written approval from the TECHNICAL MANAGER.

### **2.2.2 PADDING-**

- A. Padding must meet SFI spec 45.1 or FIA 8857-2001.
- B. Padding is required anywhere driver helmet may come in contact with the roll cage and along the base of the driver's side A-pillar bar and box if applicable.

### **2.2.3 WELDING-**

All roll cages must be based on a single Main Hoop of one (1) continuous length of tubing with smooth continuous bends and no evidence of crimping or wall failure. The radius of bends in the roll cage hoop (measured at centerline of tubing) shall not be less than three (3) times the diameter of the tubing. Welding shall conform to American Welding Society D1.1:2002, Structural Welding Code, Steel Chapter 10, Tubular Structures. Whenever D1.1 refers to "the Engineer" this shall be interpreted to be the owner of the vehicle.

- A. All welds shall be visually inspected and shall be acceptable if the following conditions are satisfied:
- B. Welds shall be continuous around the entire tubular structure.
- C. The weld shall have no cracks.
- D. Grinding down of welds is prohibited.
- E. Thorough fusion shall exist between weld metal and base metal.
- F. All craters shall be filled to the cross section of the weld.
- G. Undercut shall be no more than .01-inch deep.
- H. Aluminum bronze or silicon bronze welding technique is permitted, but extreme care shall be used in preparation of parts before bronze welding and in the design of the attaching joints.

### **2.2.4 ROLL CAGE MATERIAL-**

- A. Roll Cage Material must be Seamless SAE 1020 or 1025 mild steel tubing, DOM, and or chromoly.
- B. ERW tubing is not permitted.
- C. All roll cage tubing in the requirements listed below must be a minimum of 1.5 x .095-inch for all materials.
- D. The minus tolerance for wall thickness should not be less than .010-inch below the nominal thickness.
- E. Vehicles weighing over 3500 lbs. with driver must petition with the Technical Manager for approval of the roll cage prior to entering any event.

### 2.2.5 ROLL CAGE MOUNTING PLATE-

- A. Each mounting plate or box shall be at least .08-inch thick steel
- B. Each mounting plate or box must be fully welded to the structure of the vehicle
- C. Each mounting plate or box shall not be greater than 100 square inches and shall be no greater than 12-inches or less than 2-inches on a side. The mounting plate may be multi-angled but must not exceed these dimensions in a flat plane
- D. Whenever possible, mounting plates shall extend onto a vertical section of the structure such as a rocker box or door pillar
- E. Any number of tubes may attach to a single plate or to each other.

### 2.2.6 MAIN HOOP-

- A. The main roll hoop (behind the driver) shall extend the full width of the driver/passenger compartment and shall be as near the roof as possible with a maximum of 4 bends, totaling 180 degrees  $\pm$  10degrees.
- B. The roll cage main hoop should start from the floor of the vehicle and be attached to the chassis/unibody via Mounting Plate specifications.
- C. Diagonal lateral brace is a piece of tubing equal to the roll bar diameter, installed across the main hoop to prevent lateral distortion. This brace must attach to the driver side upper corner of the main hoop, not more than 6-inches from the center of the radius, and to the opposing leg, not more than 6-inches from the base plate.
- D. A horizontal brace is a piece of tubing equal to the roll bar diameter, installed behind the driver's seat for the purpose of mounting seat belts. This tube shall be no higher than shoulder height and continue the full width of the main hoop, attached to both legs.
- E. The diagonal brace or the horizontal brace must be one continuous piece of tube, with the other attaching to it.

### 2.2.7 FRONT/SIDE HOOPS-

The front hoops, side hoops, or down tubes shall begin at the floor.

Several configurations are allowed:

- A. Side Hoop Configuration: Side Hoops connect directly from the floor of the driver's compartment and continue, in one piece, to connect to the Main Hoop. If Side Hoops are used, they are to be connected together by a single horizontal tube across the top of the windshield with a maximum of 4 bends totaling 90 degrees  $\pm$  10 degrees.
- B. Front Hoop Configuration: A front hoop connected to the floor on both sides of the driver compartment and following the line of the front pillars in one continuous piece may be used. A front hoop must be connected at the top by horizontal bars running back to the main hoop on each side, above the doors with a maximum of 4 bends, totaling 180 degrees  $\pm$  10degrees.
- C. HALO Configuration: Top "halo" hoop following the roof line in one continuous piece from each side of the main hoop along the top of the doors and windshield. A HALO must be connected to the floor with forward "down tubes" following the line of the front pillars with a maximum of 4 bends, totaling 180 degrees  $\pm$  10degrees and a maximum of 2 bends allowed on the down tubes.

The front, side or down hoops may extend through the dash pad, including the forward part of the door panel if it is an extension of the dash panel.

One (1) "Knee" bar is recommended in a horizontal plane between forward cage braces in the dash area for all configurations.

### 2.2.8 REAR HOOP SUPPORTS-

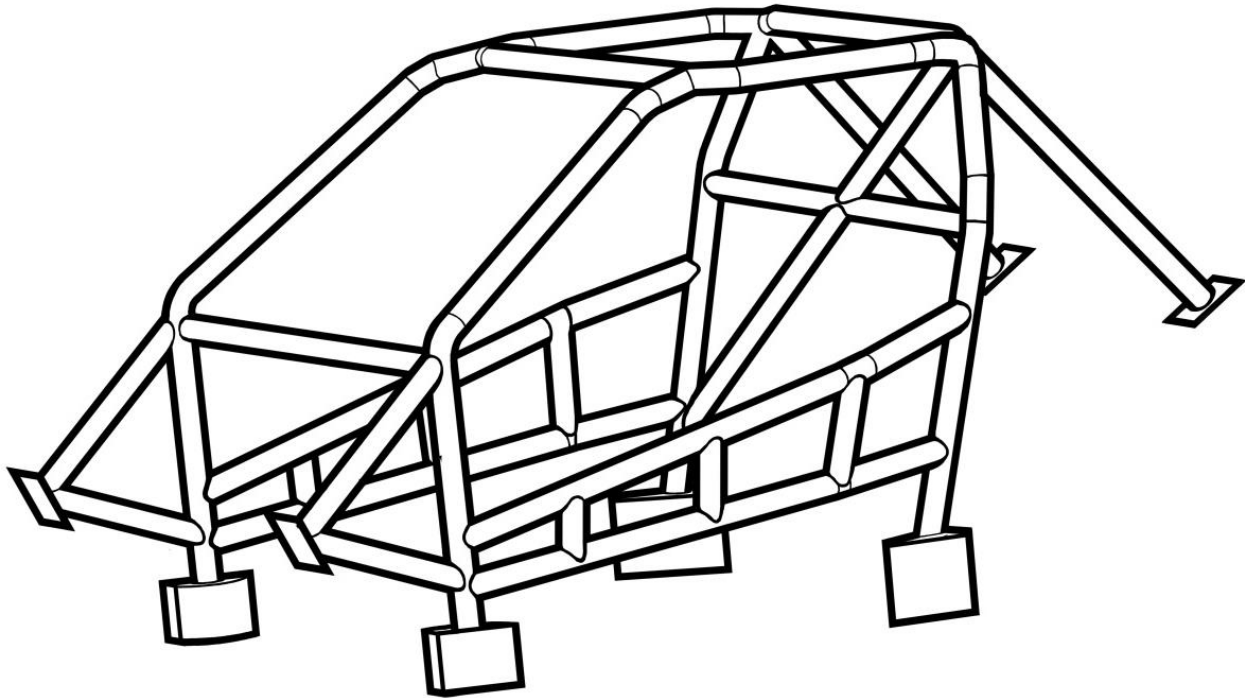
- A. The main roll hoop shall have two braces extending to the rear attaching to the chassis/unibody.
- B. Braces shall be attached as near as possible to the top of the main hoop not more than six (6) inches below the top and at an included angle of at least thirty (30) degrees.
- C. No bends are allowed on rear braces.
- D. On vehicles where the rear window/bulkhead prohibits the installation of rear braces, the main hoop shall be attached to the body by plates welded to the cage and bolted to the stock shoulder harness mounting points.

### 2.2.9 SIDE PROTECTION-

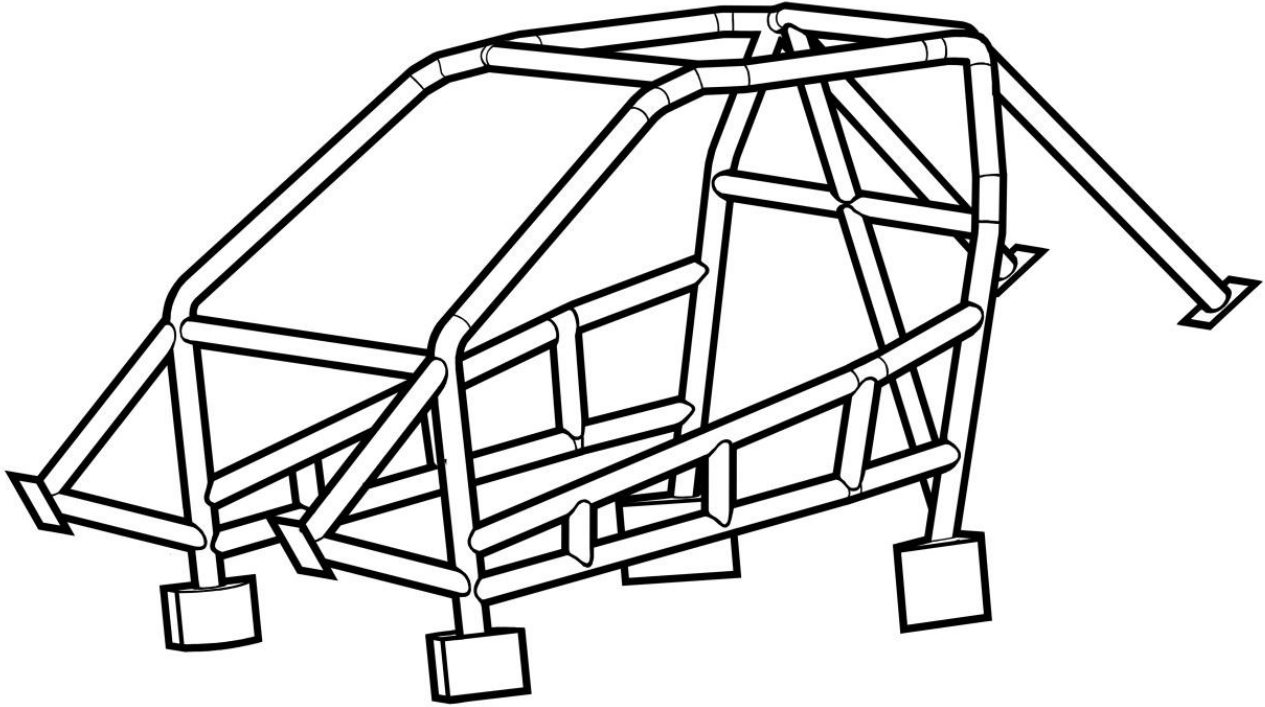
- A. All vehicles shall have a minimum of two door bars across each front door opening.
- B. The door bars may run parallel, or in the shape of an "X".
- C. If the two door bars do not intersect as they do when forming an "X", then a minimum of two vertical tube sections shall connect the upper and lower door bars.
- D. Teams may also choose to install "NASCAR-STYLE" bars and extend into the outer door skin. In this configuration, the outer bars must also have a minimum of three vertical tube sections connecting the upper and lower bars.
- E. Side protection must not pass through the B-pillar.
- F. No gussets or attachment of any form may pass from the door bars to the chassis, unibody, or rocker panel.
- G. The inner door panel and door internals may be removed.

### 2.2.10 ANTI-INTRUSION or ANTI-WHEEL INTRUSTION BARS

- A. The anti-intrusion bars or wheel intrusion bars are intended for additional foot protection.
- B. All vehicles shall have anti-intrusion bars or wheel intrusion bars with one tube extending forward from each front down tube and one tube from the base plate forward to the firewall but not penetrating any panel.



LEFT HAND DRIVE CONFIGURATION



RIGHT HAND DRIVE CONFIGURATION

### 2.3 BALLAST

- A. Ballast must serve only the unique purpose of adding weight to a vehicle.
- B. A vehicle may have up to 50 lbs. of ballast weight added to it.
- C. Ballast must be mounted ahead of the rear axle.
- D. Blocks must weight no less than 5 pounds each and cannot be made of liquid of any type, pellets or any other granulated material.
- E. Ballast must be securely bolted in place with a minimum of one .5-inch diameter grade 8 bolt.
- F. No weight shifting devices are allowed including but not limited to hydraulic or electronic devices.

### 2.4 BUMPERS

- A. All vehicles must be equipped with safe front and rear bumpers.
- B. Bumpers should be rounded off or capped off to prevent becoming locked to another vehicle.
- C. Bumpers at minimum must span the width of the front and rear frame rails.

### 3. SUSPENSION AND BRAKES

#### 3.1 FRONT SUSPENSION

- A. OEM front sub-frames and cross members must be stock and available on the exact year make and model that is competing in FORMULA DRIFT.
- B. Original suspension design type must remain: Double wishbone, MacPherson strut etc.
- C. Modified or aftermarket suspension parts, including hubs, are allowed.
- D. Suspension relocation brackets that move suspension points or pivots regardless if they are bolt in to the chassis will not be allowed.
- E. MacPherson strut upper mount pivot must remain within the centerline dimension of the OEM unaltered factory bolt pattern on the chassis.
- F. Refer to Figures 6 and 7.
- G. The OEM pattern on the chassis must remain unaltered and be the only means of mounting the upper strut mount. All OEM bolt holes must be present and utilized.
- H. Vehicles with MacPherson upper strut mounts not represented in the illustration must contact the Formula Drift Technical Department.



***NOW IN STOCK IN THE USA!***

Current applications  
available at  
[www.wisefab.com](http://www.wisefab.com)

**Nissan S13** lock kit  
**Nissan S14/15** lock kit  
**BMW E30** lock kit  
**BMW E36** lock kit  
**BMW E46M** lock kit  
**BMW E46** lock kit  
**BMW E36/46** rear adjustable arms  
**Supra/Soarer** front lock kit  
**Supra** rear end kit

**Nissan S14** rear suspension kit  
**Nissan S13** rear suspension kit  
**Nissan 350Z/Infiniti G35** front kit  
**Nissan 350Z/ Infiniti G35** rear kit  
**BMW E9X** front lock kit  
**BMW E9X** rear kit  
**Toyota Gt86/Scion FRS/Subaru BRZ** front kit  
**Toyota Gt86/Scion FRS/Subaru BRZ** rear suspension kit  
**Nissan Skyline R33/R34** lock kit

***UPCOMING KITS THIS WINTER!***

**Nissan 370Z/Infiniti G37** Front lock kit  
**Nissan 370Z/Infiniti G37** rear kit  
**Mazda RX8** lock kit  
**Mazda RX8** rear kit



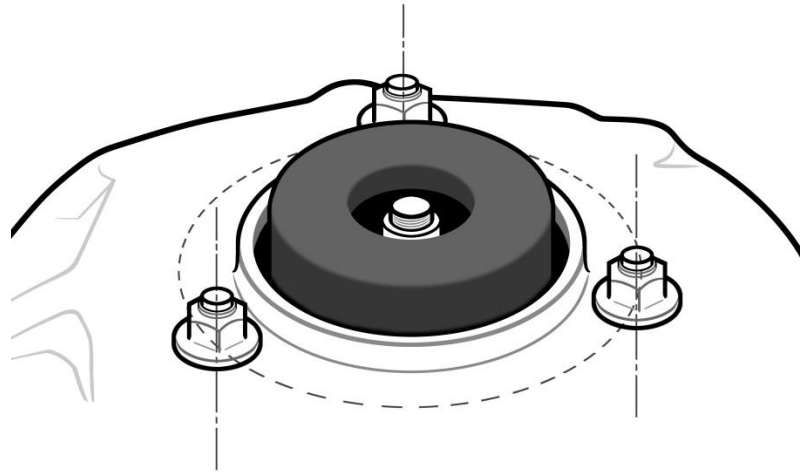


Figure 6

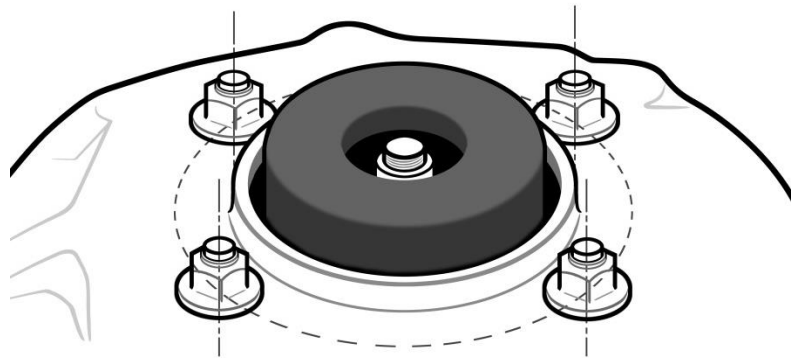


Figure 7

- I. Front subframe must remain in the factory location: no relocation of the subframe on any plane will be allowed
- J. All original suspension mounting tabs must remain in the original position. NO cutting, welding, bending, drilling or modifications of any kind will be allowed.
- K. Front subframes may only be modified to directly allow for oil pan/ starter clearance and steering rack relocation. The front subframe must retain intact on at least one major member on one face that spans the entire width of the subframe, thereby keeping the original dimensions of the subframe intact. Any other modifications, cutting, welding, strengthening, etc is not allowed.

### 3.2 STEERING

- A. Modifications of steering components (steering rack, tie rods, etc) are free.
- B. This includes mounting the rack to the front subframe.

### 3.3 REAR SUSPENSION- LIVE AXLE

- A. The original chassis mounting points must remain unaltered and in the original factory position.
- B. Suspension relocation brackets that move suspension points or pivots regardless if they are bolt in to the chassis will not be allowed.
- C. Original suspension design must remain: 3 link, 4 link, etc.

### 3.4 REAR SUSPENSION- INDEPENDENT

- A. OEM Rear sub-frames and cross members must be stock and available on the exact year make and model that is competing in FORMULA DRIFT.
- B. Original suspension design type must remain: 5 link, 4 link, strut, etc.
- C. Modified or aftermarket suspension parts, including hubs, are allowed.
- D. Subframe must remain at the factory height listed in the table below: no relocation of the subframe on any plane will be allowed.

<b>Rear subframe to Chassis clearance</b>				
<b>Make</b>	<b>Year</b>	<b>Model</b>	<b>Front mounts</b>	<b>Rear mounts</b>
BMW	1990-2000	E36	0.640	0.465
	1998-2006	E46	0.400	0.570
Chevrolet	2010-	Camaro	0.741	1.547
Ford	2015	Mustang	0.400	0.400
Hyundai	2008-	Genesis	0.765	0.635
Infiniti	2009-2013	G37	0.620	0.500
Nissan	1989-1994	S13	0.675	0.600
	1995-1998	S14	0.675	0.600
	1999-2002	S15	0.675	0.600
	2003-2009	350z	0.600	0.300
	2010-	370z	0.725	0.200
	2013-	GTR	0.400	0.470
Mazda	2003-2012	RX-8	0.420	0.470
Lexus	2001-2010	SC430	0.750	0.660
	1991-2000	SC300	0.700	1.750
Scion	2010-	FRS	0.445	0.335
Subaru	2010-	BRZ	0.445	0.335
<b>Tolerance ± .060</b>				

- E. If your vehicle is not listed below and has a removable subframe please contact the Formula Drift Technical Department.
- F. All original suspension mounting tabs must remain in the original position. NO cutting, welding, bending, drilling or modifications of any kind will be allowed including subframe bushing to chassis mounts.
- G. Additional mounting tabs may be added to relocate the suspension arm mounting points a maximum of 2 inches on any plane from the original mounting position.
- H. This will be measured center to center from the original pivot point to the new pivot point. Please refer to Figure 8. This rule only applies to vehicles with a rear subframe
- I. Rear subframes may be modified to allow for mounting or relocating a differential. The rear subframe must retain at least one major member that spans the entire width of the subframe, thereby keeping the original dimensions of the subframe intact. Any other modification(s) such as cutting, welding, strengthening, etc is not allowed.

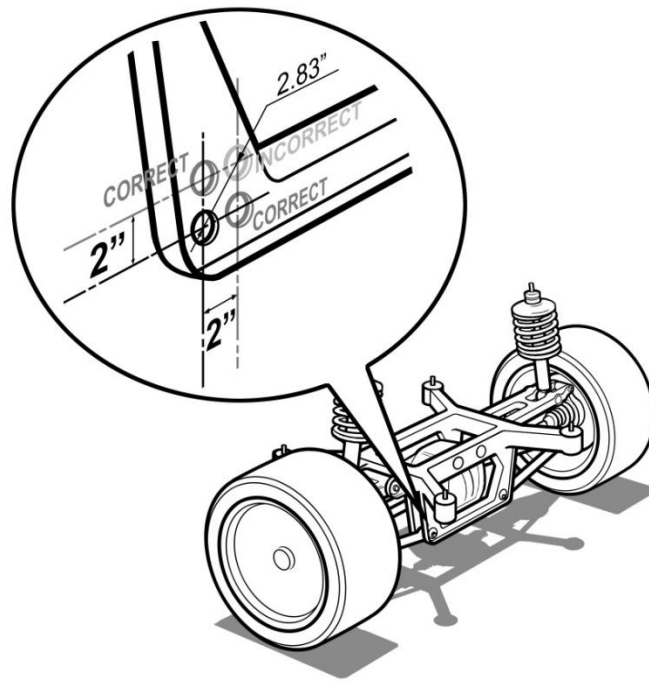


Figure 8

### 3.5 BRAKE SYSTEM

- A. The primary brake system must operate all 4 wheels.
- B. Dual master cylinders pedal assemblies are allowed.
- C. Driver adjustable brake bias is allowed.
- D. Secondary hydraulic e-brake systems are allowed as a fully separate system or as a pass through system.
- E. Secondary Brake system / E-brake must only operate the rear wheels.

### 3.6 WHEELS

Beadlocks, wheel screws and any additional form of attachment device between wheel and tire is prohibited.

## 4. DRIVETRAIN

### 4.1 ENGINE

- A. Engine substitutions and modifications are free, but may only run on gasoline, diesel, and ethanol blends. All other fuels require written approval from the technical manager.
- B. All fluid systems must be free of leaks.

### 4.2 COOLING SYSTEM

- A. Cooling system modifications are free but must be fully closed and free of leaks.
- B. Automatic water sprayers will be allowed during competition, but must not be leaking on the track, starting line, or grid area.



# BAKER EST 69

PERFORMANCE RACING PRODUCTS

**WWW.BAKERPRECISION.COM**

2865 Gundry Ave  
Signal Hill, CA 90755  
562 427 2375  
M-F 9-5

Call for special hours during  
FDLB and FDIRW



## PLUMBING

E85 Compatible Hose,  
SS Braided Hose,  
AQP Socketless Hose,  
Hose Ends,  
AN Fittings & Adapters



## SFI

Roll Bar Padding



- Coolers
- Fans
- Gold Foil
- Fire sleeve
- Battery Cut off Switch
- NEO Lubricants
- Tire pressure gauge
- Batteries

**WWW.BAKERPRECISION.COM**



**Made to your  
spec while  
you wait!**

**Brake Lines  
Clutch Line  
Turbo Feed Line  
E Brake line**

Supporting the Drifting  
Community & FD Drivers  
for over 10yrs



- C. If cooling system lines are routed in the driver's compartment or a trunk area that is open to the driver, they must be separated from the driver by a crushable metal enclosure made up of .036-inch steel, or .059 inch aluminum. The floor of the enclosure must be designed to prevent accumulation of fluids.
- D. Cooling systems shall be filled with water only. Coolant Additives such as NEO "Keep Cool" and Redline "Water Wetter" are allowed.
- E. Radiator catch tanks with a minimum capacity of one (1) quart are required. Catch tanks must be securely fastened and sealed from the driver's compartment.

### 4.3 OIL SYSTEM

- A. Oil system modifications are free but must be fully closed and free of leaks.
- B. If the oil tank is located in the driver's compartment area, or a trunk area that is open to the driver, it must be separated from the driver by a metal enclosure made up of .036-inch steel, or .059-inch aluminum.
- C. The floor of the enclosure must be designed to prevent accumulation of fluids.
- D. Oil catch tanks with a minimum capacity of one (1) quart are required. Catch tanks must be securely fastened and sealed from the driver's compartment.
- E. All engine components and exterior components that support engine operation such as oil cooler, Accu-sump, dry-sump tank, oil filter, and oil lines must be protected and within the confines of the factory frame rails and factory bumper or tubular bumper structure.

### 4.4 FUEL SYSTEM

#### 4.4.1 FUEL TANK/ CELL

- A. The fuel system design is free, but engines may only run on gasoline, diesel, and ethanol blends. All other fuels require written approval from the technical manager.
- B. Safety Fuel cells are required for all vehicles with a relocated fuel tank.
- C. Safety fuel cells shall consist of a bladder enclosed in a metal container.
- D. If the factory fuel tank is retained it must be mounted in the factory location, and in the factory manner while being enclosed by the factory sheet metal.
- E. Drag race style fuel cells with bottom mount sumps and or fittings are prohibited. Fuel cells meeting SFI 28.1 are recommended.
- F. Fuel tank/cell must be separated and completely sealed to prevent the passage of fluids or flames from entering the driver's compartment by a permanently mounted steel or aluminum bulkhead. The bulkhead in a hatchback vehicle must be affixed to the chassis and no movable structure or panel such as the hatch will be allowed as part of the bulkhead. Fuel cells may be installed in the interior of the vehicle, preferably within the confines of the roll cage structure.
- G. The floor pan may be modified to fit a fuel cell and lines.
- H. Fuel cells must have a flapper valve installed to prevent spillage in the event of a roll over.
- I. Fuel System must not leak on the track, starting line, or grid area.
- J. Installation of Discriminator valves may be required on vent lines to prevent fuel leaks.

#### 4.4.2 FUEL LINES

- A. Fuel lines and fittings must be high-pressure type and routed in such a way that do not interfere with moving parts and be securely insulated and attached to the unibody or chassis.
- B. No fuel lines may be routed through the driver's compartment.
- C. Teams may install dry-break fuel-filler attachments in the rear quarter windows or into the rear windshield or trunk lid to facilitate re-fueling from outside the vehicle.
- D. The fuel filler tube between the fuel filler neck and the fuel cell, or tank, must be bulk-headed with .036-inch steel or .059-inch aluminum and sealed.
- E. There shall be a flexible tube between the fuel filler neck and the fuel cell/tank to allow for misalignment of the tube as the result of an accident as well as a one-way "flapper" valve.

### 4.5 NITROUS OXIDE

- A. Nitrous Oxide bottles must be securely mounted and protected within the confines of the factory frame rails and factory bumper or tubular bumper structure.
- B. The use of plastic bottle brackets is prohibited.
- C. Nitrous bottles located in the passenger compartment must have a pressure relief valve (Example from NOS-Part number NOS 16169) and be vented to the outside of the passenger compartment (Example from NOS-Part number NOS 16160).

#### 4.6 EXHAUST SYSTEM

- A. Exhaust system modifications are free, but must past the rear axle or in the original location.
- B. Mufflers are not required.

#### 4.7 STARTER

All vehicles must be equipped with an on-board starter and power supply which must be in working order at all times

#### 4.8 TRANSMISSION

- A. All vehicles must be equipped with a functioning reverse gear
- B. Transmission and/or final drive modifications are free, but only the rear wheels may propel the vehicle.

#### 4.9 DRIVESHAFT

- A. All vehicles must have a driveshaft retaining loop mounted within 6 inches of the forward most universal joint and be securely attached to a body or frame structure as in Figure 9.
- B. The driveshaft loop may be made of minimum .250-inch x 2-inch wide steel strap or .875-inch x .065-inch steel tubing and be securely mounted in case of universal joint failure. (Example from Summit Racing- Part number SUM-G7900)

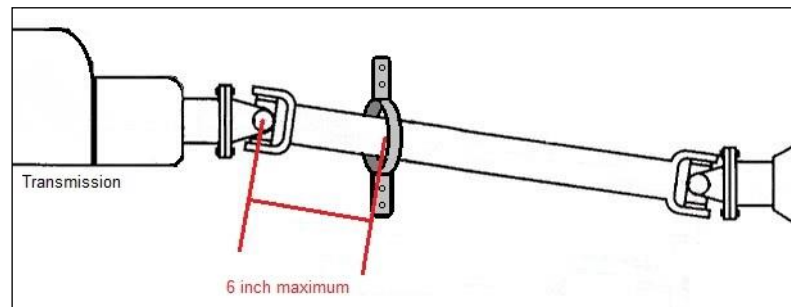


Figure 9

#### 4.10 TRACTION CONTROL

- A. Traction control and other non-specified "driver aids" are not allowed.
- B. Including but not limited to speed sensors, linear transducers, driveshaft rpm, and steering position.
- C. Wheel speed and driveshaft sensors must be removed.

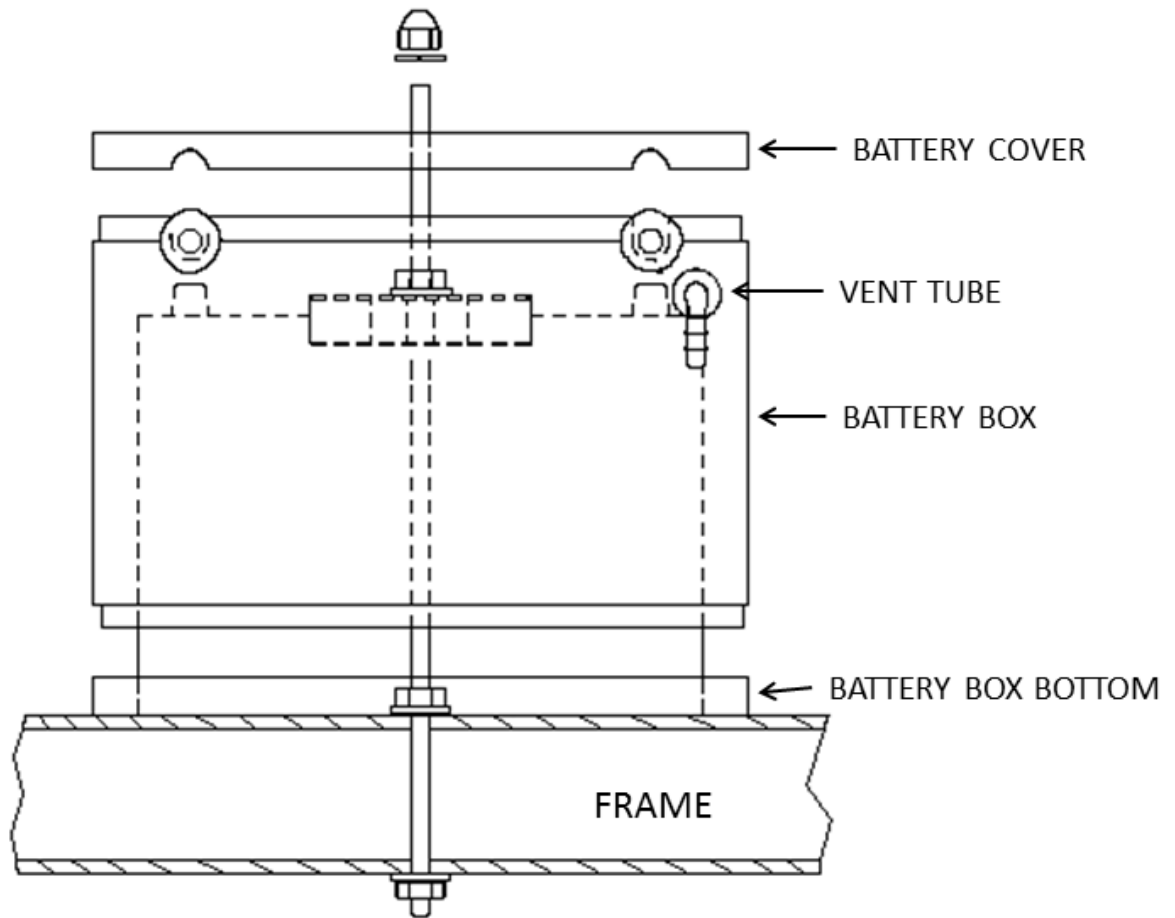
#### 4.11 DATA

- A. FORMULA DRIFT may require some or all vehicles to have Data Acquisition systems installed.
- B. These systems may be used for judging or for technical purposes.
- C. Any data collected is the property of FORMULA DRIFT, and discretion will be used to keep it confidential between the team and FORMULA DRIFT as necessary, however data used for judging purposes may be disclosed to other teams as appropriate.
- D. If required, detail regarding sourcing, installation, and operation of a Data Acquisition system will be referenced in official FORMULA DRIFT publications including but not limited to Supplemental Regulations, Bulletins or Memos.

## 5. ELECTRICAL SYSTEM

### 5.1 BATTERY

- A. The battery must be securely mounted and the positive terminal completely insulated to avoid contact with any other metal parts.
- B. Batteries may be relocated.
- C. Relocated batteries must be fastened to the frame or unibody with a minimum of two 3/8-in diameter bolts.
- D. J bolts or hooks are prohibited.
- E. If the battery is located in the driver's compartment, it must in a sealed box bolted with the battery fastened inside the box securely bolted to the unibody/ chassic and properly vented and drained.
- F. Refer to Figure 10 (Example from Taylor Cable- Part number 48103)



(2) 3/8" THREADED RODS TO PASS THROUGH BATTERY BOX AND  
HOLDDOWN TO SECURE THE BATTERY TO THE VEHICLE'S FRAME

Figure 10

# INTRODUCING

# THE ALL NEW TRACK ROCKER

Track oriented accessory control unit



AMERICAN MADE



AMERICAN PROUD

## Painless Has All of Your Wiring Needs



LS Swap Wiring



Relay Kits



Wire Loom

**PAINLESS**  
PERFORMANCE PRODUCTS

Find Your Dealer 800.54.WIRES Tech Line 800.423.9696  
[www.painlessperformance.com](http://www.painlessperformance.com)



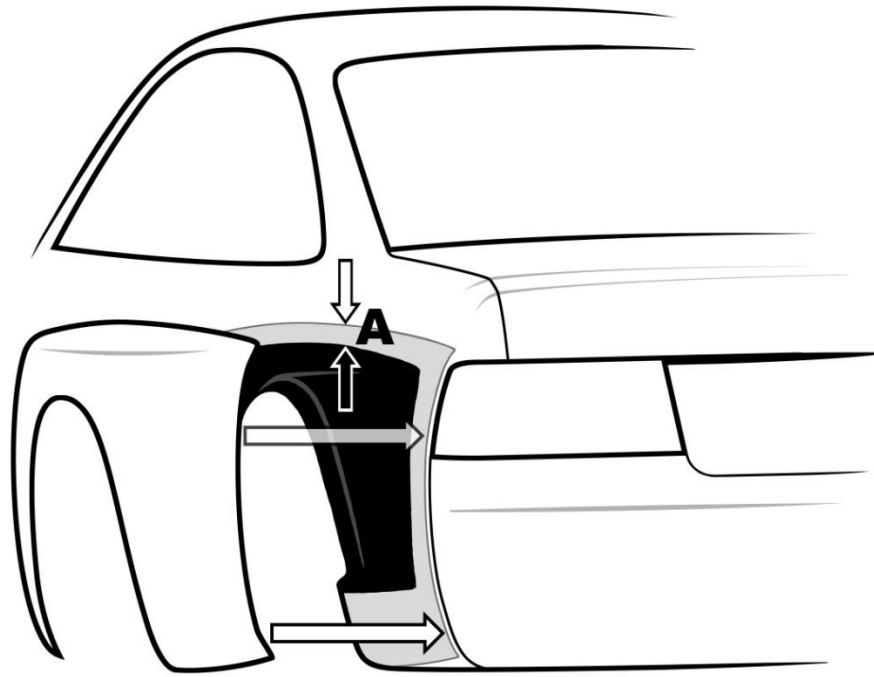
## 5.2 MASTER CUTOFF

- A. A Master electrical cutoff switch, wired to completely shut off all engine and electrical system function except for electrically operated fire suppression systems is mandatory and must be mounted outside the vehicle, on the right side cowl just below the windshield and is to be clearly marked with the appropriate "OFF" markings.
- B. The electrical terminals of the cut-off switch and/or any relays used in the circuit must be sufficiently insulated

## 6. BODY EXTERIOR AND INTERIOR

### 6.1 BODY PANELS

- A. Vehicles must maintain the OEM look and feel.
- B. Panels must be clean, free of damage and presentable for competition.
- C. All bodywork must be painted or covered and securely attached to the vehicle.
- D. Aftermarket body panels, front and/or rear fascias, side skirts and wings are permitted.
- E. One piece front ends are not permitted.
- F. Over fenders are permitted and should be installed as in Figure 11.



Dimension A: 1 inch

Figure 11

- G. Body work that is not designed as OEM or an OEM replacement of the original make and model of the vehicle must be approved by the TECHNICAL MANAGER.
- H. The inside and outside door latch/ lock operating mechanism must be functional and readily accessible for the driver to exit the vehicle.

## 6.2 WING

- A. No vertical aerodynamic elements may be added to vehicles other than two wing standoffs and two wing end plates.
- B. The size of each may not exceed 12x16 inches dimensionally in size per piece. Refer to Figure 12.
- C. The installation of these devices may not obstruct the view, from any angle, or operation any of safety device, signaling light, indicator, or other equipment.

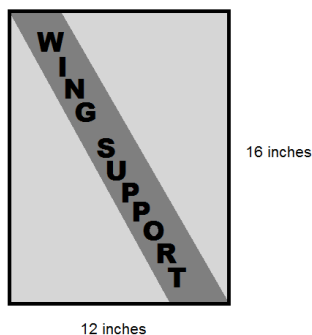


Figure 12

### 6.3 WINDSHIELD

- A. Windshields may be OEM glass or Lexan/polycarbonate replacement.
- B. Lexan/polycarbonate windshields must be a minimum thickness of .1875-inch
- C. Lexan/polycarbonate windshields must be securely mounted and have a vertical brace .750-inch wide x .0625-inch aluminum which is securely mounted down the center of the opening on inside the vehicle.
- D. Windshields must be clear, use of tint is prohibited.

### 6.4 WINDOWS and WINDOW RESTRAINTS

- A. Door, quarter and rear window must be OEM glass or clear/polycarbonate with minimum thickness of .125-inch and securely bolted in place.
- B. Side windows shall have a window net, OEM glass, or a piece of Lexan/polycarbonate in place of both front window openings whenever the vehicle is on-track.
- C. Side windows and rear windows must be clear, use of tint is prohibited.
- D. Competitors may choose to use arm restraints in lieu of side windows or a window net.
- E. Competitors with convertible vehicles must use arm restraints.

### 6.5 WIPERS

Vehicles must have a functioning windshield wiper.

### 6.6 MIRRORS

Two external, rear-facing mirrors are required, and must be positioned so that the driver can see objects along both sides of the vehicle.

### 6.7 HOOD PINS

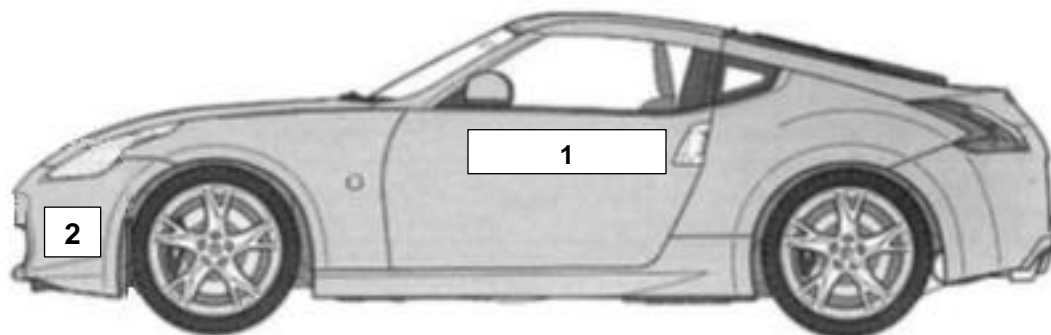
- A. Two hood pins, equally spaced across the front of hood and are required within 24-inches of the leading edge of the hood.
- B. The original stock latch must be removed.

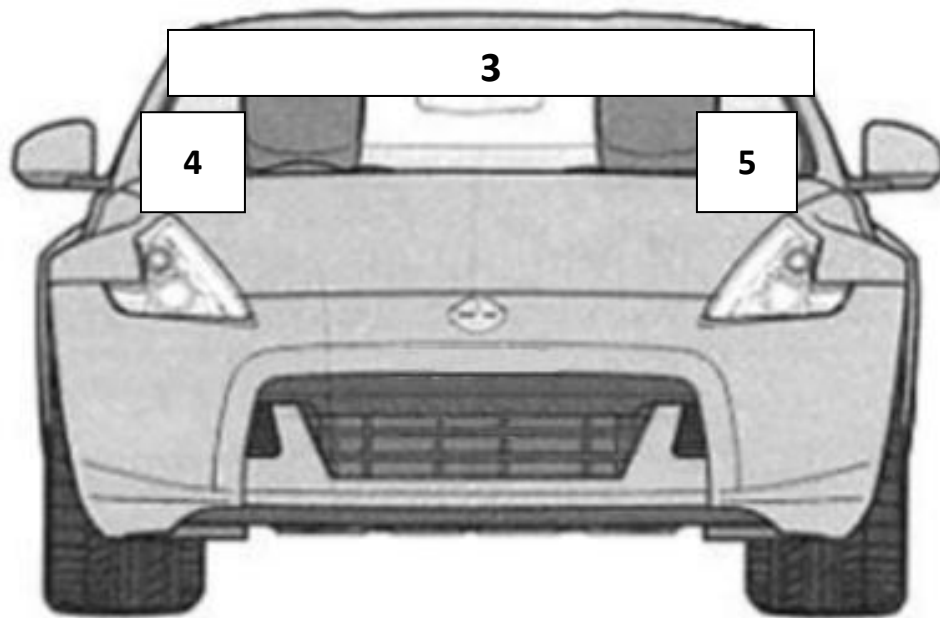
### 6.8 DECALS

- A. All required FORMULA DRIFT and/or other decals or markings must be present in the specified location.
- B. FORMULA DRIFT windshield banners are required.
- C. FORMULA DRIFT reserves the right to have any decals, marks, or other items removed or covered at their discretion.

#### 6.8.1 DECAL PLACEMENT

All competing vehicles must carry the following mandatory decals, as well as any other decals as mandated by FORMULA DRIFT via supplemental regulations, memos, and other communications.





#### 6.8.2 DECAL PLACEMENT KEY

1. (2) Formula Drift Number/ Name Plate. 1-inch x 1-inch from top of door
  2. (1) Formula Drift Decal
  3. (1) Formula Drift Windshield Banner
  4. (1) Formula Drift Decal
  5. (1) Competition Result Decals
- A. Competitors may also be required to carry event specific sponsor/ contingency decals.  
B. All vehicles must have the number plate in the designated area above.  
C. Any alteration such as cutting or modifying is not allowed.  
D. A minimum fine of \$500 per event will be issued to any violators.

#### 6.9 TOWING APPARATUS

Must be equipped front and rear as follows:

- A. Load Rating of not less than the gross vehicle weight
- B. Minimum internal hole diameter of 2inches
- C. If made of a metal it must not protrude more than 3in from a blunt surface.
- D. Colored in a contrasting color to the surrounding body work
- E. If not clearly visible must that their position clearly indicated by the word "TOW" or an arrow in a contrasting body color



## **6.10 LIGHTS**

### **6.10.1 OEM LIGHTS**

- A. All OEM lights must remain in place, Headlights, tail lights and brake lights must function normally.
- B. Brake lights and tail lights may only be red, tinting is prohibited.
- C. Rearward facing strobe lights of any color is strictly prohibited.
- D. Any variation of Red **and or orange** colored headlights is prohibited.
- E. The use of electrical, mechanical, and or hydraulic cutoff switches, relays, or any other device that renders the brake lights inoperative in any way, is strictly prohibited.

### **6.10.2 FRONT BRAKE LIGHT STRIP / THIRD BRAKE LIGHT STRIP**

- A. Light strips must be connected to the existing brake light circuit.
- B. Front brake light strip should be mounted on the roof above the windshield banner.
- C. Brake light strip should be mounted on a fixed non removable panel or structure.
- D. Contact for Formula Drift updated brake light strips supplier list.
- E. Brake light strips are 36 inches long and must remain 36 in long.
- F. **Damaged light strips with over 50% not functioning will need to be replaced prior to competition.**

## **6.11 INTERIOR**

- A. The interior of the vehicle must be clean and professional in appearance.
- B. All non-essential and/or loose items must be removed.
- C. All carpeting and/or sound deadening material must be removed.
- D. Supplemental Restraint Systems (SRS) must be removed.

## **6.12 DASHBOARD**

- A. The dashboard must be either stock or stock replacement.
- B. Replacement must be same dimension, appearance, and position of stock dashboard.

## **6.13 STEERING WHEEL**

Any steering wheel except wood rimmed may be used.

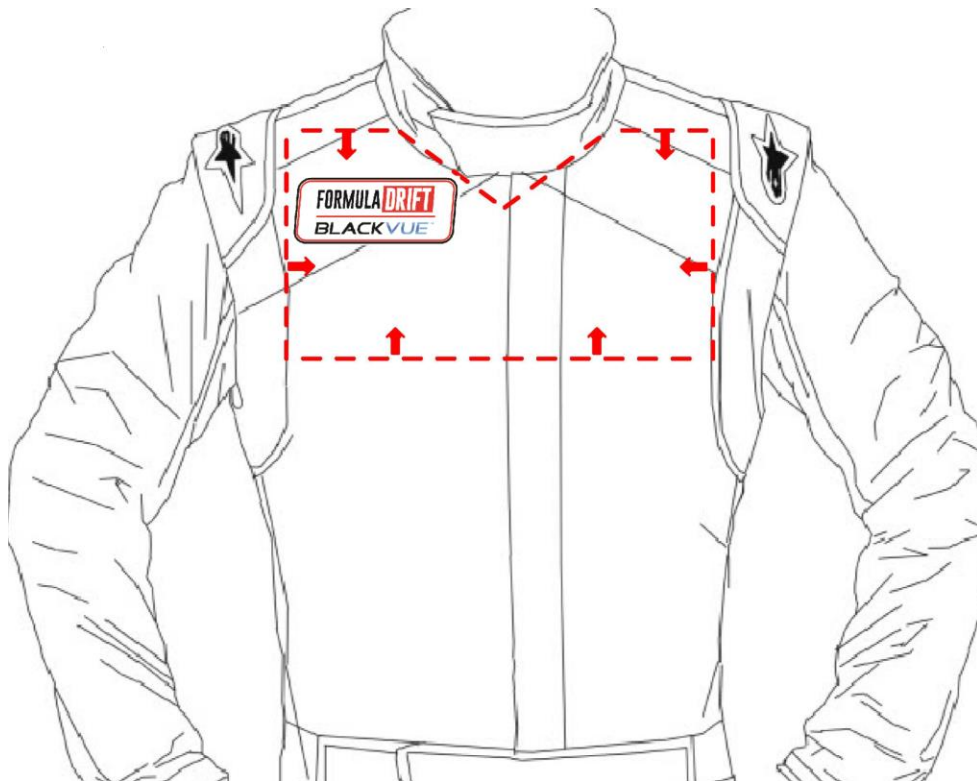
## **7. DRIVER'S SAFETY EQUIPMENT**

### **7.1 HELMET**

- A. All occupants must wear a safety helmet during on-track sessions. Only helmets certified to meet the following standards are permitted:
- B. Snell Memorial Foundation – SA2005, SA2010,SAH2010
- C. SFI Foundation – Spec 31.2, Spec 31.2A
- D. FIA 8860-2004, 8860-2001
- E. Full-faced helmets are required.
- F. Helmet chin straps must be buckled or fastened while on course.
  
- G. Hair protruding from beneath a driver's helmet must be completely covered by fire-resistant material. Drivers with facial hair must wear face shields of fire-resistant material (i.e. balaclava or helmet skirt).
- H. Accident-damaged helmets shall be given, or sent, by the driver, or his representative, to FORMULA DRIFT. It will be forwarded to the certifying organization for inspection. Details of the accident should be included.

## 7.2 DRIVING SUIT

- A. One-piece driving suits are required and must be made of fire-resistant material and certified to SFI spec 3.2/A/5 or greater, or homologated to FIA 2000 specs, which effectively covers the body, including neck, ankles and wrists. Multi-layer driving suits are recommended.
- B. Gloves, shoes, and socks are required and must be fire-resistant material and certified to SFI spec 3.3/5 or greater, or FIA 8856-2000 specs.
- C. Articles must be free of holes, tears or other openings except those made by the manufacturer of the equipment.
- D. Fire-resistant underwear is recommended.
- E. All drivers and teams must carry a FORMULA DRIFT series Logo on the uppermost chest of the driver's suit and team uniform. Other official series sponsor patches may be required. Contact the FORMULA DRIFT office to obtain a digital file or patch.



### 7.3 EYE GLASSES

Any corrective eyeglass material used shall be of safety glass-type, and meet U. S. Government standards.

### 7.4 SEATS

- A. All vehicles must have at least two seats, one for the driver, and one for a passenger.
- B. Each of the two required seats must be homologated to FIA standard 8855-1999.
- C. As of 2015 the driver's seat must be "Halo style" for side impact head protection.
- D. The usable life of an FIA homologated seat is 5 years from the date of manufacture indicated on the seat label.

Sample FIA seat homologation label:

	In compliance with : <b>FIA Standard 8855-1999</b>
	Manufacturer Name : <b>Name of Manufacturer</b>
Serial n° :	<b>xxx xxx</b>
Model :	<b>Model Name</b>
Homologation N° :	<b>CS.xxx.xx</b>
Date of Manufacture :	<b>MAY 2012</b>

The homologation labels must be visible

#### 7.4.1 SEAT SUPPORT

Seat supports shall be of the type listed on FIA technical list No.12 (lateral, bottom, etc).

#### 7.4.2 MOUNTING HARDWARE

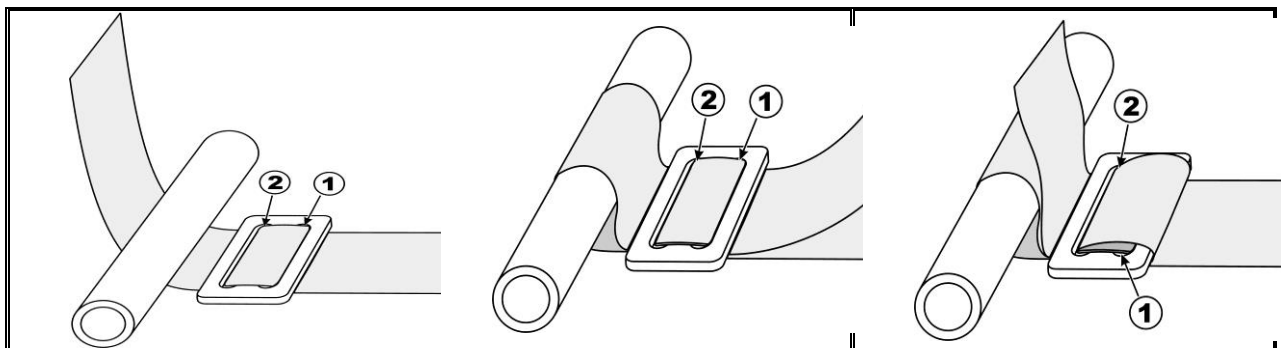
All hardware used in the mounting of seats, or other structural supports shall be SAE Grade 5 or better with a 5/16" minimum diameter.

### 7.5 SEAT BELTS

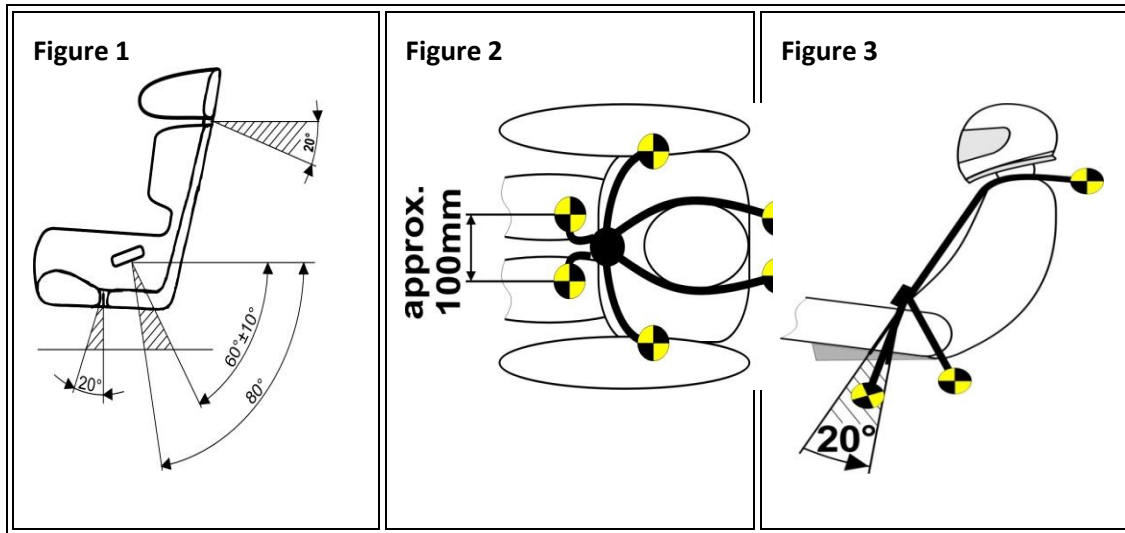
All occupants shall utilize a driver restraint system that conforms to these regulations.

- A. All occupants in FORMULA DRIFT EVENTS must utilize either a five-point, or six-point, restraint harness meeting the following specifications at all times during practice, qualifying, and the race.
- B. A minimum five-point system is required for use in automobiles is required. The system consists of a two or three in lap belt, three-inch shoulder straps or two-inch shoulder straps when used with an approved SFI 38.1 Head and Neck Restraint, and a single or double sub strap with a minimum two-inch webbing.
- C. All Harness belts must meet either SFI or FIA Homologations:
- D. There shall be a single release common to the lap belt, shoulder belts, and sub-strap harness.
- E. SFI Certification – Harness systems may be certified to SFI spec 16.1 or 16.5 and shall bear the appropriate label(s) on shoulder belts, lap belts and sub-straps. Each harness is punched with the year and month of manufacture.
- F. SFI Certification shall expire (2) years after the punched month and date on the belt.
- G. SFI 16.1 belts must have a 3 inch lap belt. 2 inch Head and Neck Restraint specific shoulders are permitted when used with an approved SFI 38.1 Head and Neck Restraint.
- H. SFI 16.5 belts may have a 2 or 3 inch lap belt. 2 inch Head and Neck Restraint specific shoulders are permitted when used with an approved SFI 38.1 Head and Neck Restraint.

- I. FIA Certification –Harness systems may be homologated by the FIA to specification 8853/98, and shall bear the appropriate label(s) on each element of the belt. FIA belts are dated with an expiration year with the belts expiring on December 31st of the year punched or printed on the FIA tags.
- J. FIA belts have a certification period of 5 years plus the remaining months of the year purchased.
- K. Regardless of the date of manufacture, the safety harness shall be replaced if the webbing is cut/ frayed, if any of the buckles are bent/cracked, if the vehicle has been in a severe impact, or at the direction of the TECHNICAL MANAGER. If any of these conditions exist, the TECHNICAL MANAGER shall cut the certification labels off of the harness. The team will then have to replace the belt.
- L. Only separate shoulder straps are permitted. “Y-type” and “H-Type” configurations are not allowed. Sternum straps connecting the two shoulders belts over the chest are not allowed. The shoulder harness shall be mounted as closely behind the seat back as possible, not to exceed twelve inches (12”). The shoulder harness shall be above a line drawn downward from the shoulder point at an angle of no more than 20-degrees with the horizontal and shall not be above 0-degrees. The shoulder straps shall pass through the seat back when the occupant is seated, without interference (up, down, or side to side), to the attachment points. (Figure 1).
- M. The lap belts shall be mounted rearward of the pelvis, between two lines drawn at 45-degrees, and 80-degrees, below the horizontal with the optimum angle of 60-degrees (Figure 1). The lap belts shall pass through the seat, without interference, from the attachment points and should ride over the pelvis, just below the pelvic crest, to the buckle. The top of the buckle should be positioned at least 1-inch below the belly button. The lap belt attachment must allow the lap belt to pivot at the mounting point to prevent the webbing from being loaded at an edge when loaded and must pull on the hardware in plane.
- N. The minimum acceptable bolts used in the mounting of all belts end harnesses are SAE Grade 5. Where possible, seat belt, shoulder harness, and anti-submarine strap(s) should be mounted to the roll structure, or frame of the vehicle. Where this is not possible, large diameter mounting washers or equivalent should be used to spread the load. Bolting through aluminum floor panels, etc., is not acceptable.
- O. The single or double anti-submarine strap(s) shall be attached to the floor structure of the vehicle and have a metal-to-metal connection. Bolts through the floor pan must use a backing plate on the underside of the body. If the chassis does not have a steel floor pan, other provisions must be made to provide a steel plate or bar traversing the frame rails and transmission tunnel of sufficient strength to take a minimum load of at least 1,200lbs for each mounting point.
- P. All seat belt systems are to be mounted according to the manufacturer’s instructions or to the *SFI Guide to Seat Belt Mounting* (Figure 2)
- Q. If “3-bar” adjusters are used for a lap or shoulder belt, they shall be placed as close to the mounting points as possible and must be wrapped with the final loop (Figure 4). Straps utilizing a hook with a spring-loaded clip, which attaches to an eyebolt, must use a cotter pin, or safety wire, through the small hole that prevents the clip from opening.
- R. Occupants of convertible vehicles must use arm restraints.



The figure above is the preferred method for harness attachment to harness bar.



## 7.6 ARM RESTRAINTS

- A. Competitors may choose to use arm restraints in lieu of windows or a window net.
- B. Competitors with convertible vehicles must use arm restraints.

## 7.7 HEAD AND NECK RESTRAINTS

- A. A Head and neck restraint certified in accordance with SFI 38.1, FIA 8858-2002 or 8858-2010 are required at all times on track during practice and competition.
- B. SFI 38.1 devices must be recertified by the manufacture or authorized manufacturer representative every 5 years. Each certification is good for 5 years from the month and year punched on the SFI label.
- C. FIA 8858 devices do not require recertification however the dating year printed on the tether must not be more than 5 years old.
- D. After any significant impact, it is recommended that the device tether be replaced.

## 7.8 FIRE SUPPRESSION SYSTEM

- A. All vehicles must have an on-board fire extinguishing system.
- B. The bottle must be mounted so that it can be removed easily for verification of full charge by weighing.
- C. A nozzle outlet must be directed into the driver compartment, but must not be pointed directly at the driver. There shall also be a nozzle outlet in the fuel cell compartment and in the engine compartment.
- D. If the fuel cell compartment is under the vehicle, or the stock fuel tank is being used, the third nozzle shall be pointed at where the fuel lines come off the fuel tank/ cell or at the OE fuel tank access panel.
- E. All fire systems shall be serviced and recertified every two years.
- F. The proof of this service shall be printed on the exterior of the bottle. Only fire extinguisher systems specifically approved by the FIA on Technical List No.16, or those meeting SFI spec 17.1 will be permitted.

### 7.8.1 APPROVED FIRE EXTINGUISHER SYSTEMS

- A. Those approved by the FIA on Technical List No.16 or certified to SFI Spec 17.1
- B. Note: while FIA technical list No.16 lists the systems approved by the FIA, section 3 of FIA Technical List No.6 lists the minimum amounts of extinguishant needed depending on the type of extinguisher system being used. As a minimum, teams shall use the minimum amount of extinguishant listed for the driver's compartment and engine of Category N, A, B vehicles.
- C. All systems must be equipped with a means of checking the pressure of the contents. This does not apply to non-pressurized systems with a Co2 propellant cartridge.

### 7.8.2 INFORMATION THAT MUST BE VISIBLE ON THE CONTAINER:

- A. Capacity
- B. Type of extinguishant
- C. Weight or volume of the extinguishant
- D. Date the extinguisher must be checked, which must be no more than two years after the date of filling, or the date of the last check.

### 7.8.3 FIRE SYSTEM MOUNTING

- A. All extinguishers must be adequately protected and must be situated within the driver's compartment.
- B. In all cases, their mountings must be able to withstand a deceleration of 25 g.
- C. All extinguishing equipment must withstand fire.

### 7.8.4 TRIGGERING DEVICES

- A. Any triggering system having its own source of energy is permitted, provided it is possible to operate all extinguishers should the main electrical circuits of the vehicle fail.
- B. The driver, when seated normally with the safety belts fastened, and the steering wheel in place, must be able to activate the fire system, by means of a spark proof breaker switch, or a manual push/pull apparatus.
- C. This switch/apparatus must be located on the dashboard, or center console, and must be marked with a letter "E" in red, inside a white circle of a least 2 inches in diameter, with a red edge.
- D. If the fire system activation switch used by the driver is located within 12" of one of the front door window openings a second fire system activation switch is not necessary.
- E. Otherwise, a second fire system activation switch/apparatus must be fitted for external access.
- F. The approved locations for the second switch are along the **A-pillar or on the windshield cowl in close proximity to master electrical cut-off switch.**
- G. It also must be marked with a letter "E" in red, inside a white circle of at least 2 inches in diameter, with a red edge.

### 7.8.5 NOZZLES

- A. The nozzles shall be of the same number and type as those specified by the manufacturer for use with the type of extinguishant being used in the system.
- B. Additionally, the nozzles shall be in the locations specified by the manufacturer.

### 7.8.6 SAFETY PINS

**All fire safety pins must be removed while in staging, grid, and on course.**

## 8. TIRES

### 8.1 TIRE ELIGIBILITY

Tire Model must:

- A. Be DOT approved and intended for Highway use
- B. Be registered with the DOT and the NHTSA as having a minimum thread wear rating of 140 UTQG
- C. Be available at regular retail outlets, online or storefront
- D. 17-inch tires must have an MSRP of no more than \$500.00
- E. 18-inch tires must have an MSRP of no more than \$750.00
- F. 19-inch and up tires must have an MSRP of no more than \$1,000.00
- G. Entrants must declare their tire manufacturer as a part of the event entry form.

### 8.2 APPROVED TIRES

Only tires listed in the table below are eligible for competition.

<b>Manufacturer</b>	<b>Model</b>	<b>Source</b>
Achilles	ATR Sport	Aimtires.com
	ATR Sport 2	
	123S	Tiredirect2u.com
Falken	Azenis RT-615K	Discounttire.com
	FK-453	
	Pro G4	
	PT-722	
	Ziex ZE-912	
	Ziex ZE-950	
GT Radial	Champro HPY	Discounttire.com
	Champro SX2	
Hankook	Ventus V12 EVO K110	Citytireonline.com
	Ventus R-S3 Z222	
	Ventus V2 Concept	
Nexen	N FERA SUR4	Tirerack.com
Nitto	NT05	discounttire.com
	NT555	

### 8.3 TIRE SIZE REGULATIONS

- A. Vehicles are limited to the size of the rear tire that can be used, depending on the weight of the vehicle.
- B. A vehicle must be track-ready and running when it is weighed and registered to a weight class.
- C. A vehicle will be weighed with the driver
- D. Once the vehicle is registered to a weight class, it will be recorded, and issued a class specific sticker that must be displayed prominently on the windshield.
- E. A vehicle's weight may fluctuate within the limits of its weight class, but it can never weigh less than the minimum weight for its registered class.
- F. Tire sizes are as measured in mm across the span of the contact patch with the official Formula Drift tire tool.
- G. The Formula Drift tire tool will determine class compliance regardless of the advertised sidewall size.
- H. Tires will be measured on the rim, while on the vehicle, while the vehicle is on the ground.
- I. Tire size must not exceed the maximum size dictated by class at any time on track.
- J. Tire size may be measured and verified on track before or after tandem rounds and qualifying.
- K. A FORMULA DRIFT official may also check tire size at any time during the event.

#### **Weight and Tire Classification**

<b>Weight</b>	<b>Maximum measured tire width</b>
2100-2399lbs	240mm
2400-2699lbs	250mm
2700-2799lbs	260mm
2800-2899lbs	270mm
2900-2999lbs	280mm
3000-3099lbs	290mm
3100-3199lbs	300mm
3200-3299lbs	310mm

## **8.4 TIRE TO WEIGHT COMPLIANCE**

- A. All vehicles must be weighed in a ready to drive state. All vehicles must weight within the designated weight classes. No vehicles under 2100lbs or over 3299lbs. FORMULA DRIFT will include this weighing at a mandatory pre-event inspection before the first event.
- B. Vehicles will be weighed with driver, complete with all required bodywork and safety equipment installed.
- C. Drivers must be fully suited with helmets during the weigh- in process. Vehicles may only be weighed and registered upon passing their annual safety and technical inspection.
- D. A vehicle can only be weighed and registered before the official start of a FORMULA DRIFT event. Vehicle may be weighed before any event and only during the regular technical inspection hours provided.
- E. The vehicle may not change weight classes at any time during an event. It is required of each competitor to inform the TECHNICAL MANAGER in writing of any modification(s) to their vehicle that alters the weight of the vehicle by more than 10 lbs.
- F. FORMULA DRIFT will be impounding all podium finishers immediately after end of competition and they will be checked for weight and tire size compliance.
- G. There will also be random compliance checks at any time during the FORMULA DRIFT events at FORMULA DRIFT's discretion.
- H. FORMULA DRIFT reserves the right to weigh vehicles at any time before, during or after an event.

### **8.4.1 TIRE MEASURING PROCEDURE**

- A. Rear tires will be measured while on the vehicle, on the ground, in a ready-to-drive state.
- B. Tires will be measured across the width of the tread 3 inches up from where the tread meets the ground, from the rear of the vehicle.
- C. The measuring device is a flat sliding ruler with 2 legs extending out from the flat at 45 degrees. With the legs contacting the sidewall, and the flat contacting the tread, the dimension defined by the scale is the measured width of the tire.
- D. For a tire to be compliant for a certain weight class it must fall within the designated size range within the measuring device.
- E. The official measuring tool will be available from FORMULA DRIFT directly for purchase.

### **8.4.2 TIRE MODIFICATION**

- A. Any attempt to modify tires in any manner is prohibited. "Grooving" or "Shaving" of tires is prohibited.
- B. The use of traction compounds or any other substance that may alter the physical properties of the tire are prohibited.
- C. Tire warmers or any other means of artificially altering the tire temperatures are prohibited.
- D. Tire balancing with fluids or internal loose weights is prohibited.

### **8.4.3 TIRE CLAIMING**

A competitor has the right to "Claim" another competitor's tires if they believe the tires are not within legal specification. There are two types of claims:

#### **A. NON COMPLIANT TREAD COMPOUND**

Used in the event that a competitors tire compound is non-consistent with a specific make and model tire as it is commercially available.

Procedure:

A single tire will be identified by the Protestor, which will be removed and sent out for independent analysis.

Claiming Fee (Bond) to be paid to FORMULA DRIFT by protestor: \$3,500. (may change due to lab fees)



## **B. TIRE COMPOUND TAMPERING**

Used in the event that is a competitors tire has been tampered with, chemically treated, or altered in some way so that it varies from a specific make and model tire as it is commercially available.

Procedure:

Two tires must be claimed; the tire believed to have been altered, as well as an identical make and model tire that has been used at the same specific, event, but which has not been altered.

Claiming Fee (Bond) to be paid to FORMULA DRIFT by protestor: \$3,500. (may change due to lab fees)

To make a claim, the Team Representative from the protestor must confidentially notify the TECHNICAL MANAGER of the claim via written notification accompanied by the claiming fee. Protest rules and time periods apply.

The TECHNICAL MANAGER will notify the team in question (protested) and mark the tires to be claimed.

The protested team will remove the marked tires and turn over custody to the TECHNICAL MANAGER. The TECHNICAL MANAGER will ship the marked tires to Smithers Scientific Services for analysis.

If any of the tires are found to be non-compliant, the claiming fee will be returned to the protestor. The TECHNICAL MANAGER will report to the RACE MANAGER the technical infraction and the DISCIPLINARY COMMITTEE will take appropriate action with the possible fines, loss of points, or suspension of driver's FORMULA DRIFT Pro License. The protested tire manufacturer, crew chief and/or vehicle owner may be subject to similar disciplinary actions. Any non-compliant tires become property of FORMULA DRIFT.

If the tires are found to be compliant, the claiming free will be forfeited to FORMULA DRIFT.

## **8.5 REQUESTING TIRE ELIGIBILITY**

To request a tire for competition and validate eligibility:

Tire manufacturers are required to declare each tire model that they wish to enter FORMULA DRIFT events, and have that tire approved by FORMULA DRIFT prior to entering it for competition. A separate declaration package is required for each tire model. This declaration must include:

### **A. TIRE MODEL**

Full description of the tire line (i.e. Hankook Ventus R-S3, Hankook Ventus V12 Evo, or Hankook V2 Concept), model numbers, part numbers, and rim diameters that you wish to enter.

### **B. TIRE SPECIFICATION DATA SHEET**

Including sizes, Service Description, DOT, UTQG, Width, and Diameter.

Providing pictures, tread footprints, engineering drawings, etc. is also encouraged.

### **C. PROOF OF SUBMITTAL TO DOT, NHTSA, AND SAFERCAR.GOV**

Be registered with the DOT and National Highway and Transportation Safety Administration as having a minimum tread wear rating of 140 UTQG

### **D. PROOF OF RETAIL DISTRIBUTION**

List at least two verifiable sources for retail distribution, including contact names, address and phone numbers. These will be verified, and must be kept up to date.

E. MARKETING MATERIAL

Current examples of some type of commercial marketing, promotions, or sales material: PDFs, brochures, flyers, advertisements, press releases, websites, etc.

Tire eligibility requests must be made at least 60 days prior to the expected competition date.

Record of Revisions

Release	Update
2.0	Tires update and new logos

# FORMULA **DRIFT**<sup>®</sup>

FORMULA DRIFT HOLDINGS, LLC  
2161 GUNDRY AVENUE  
SIGNAL HILL, CA 90755

**PHONE:** +1-562-901-2600

[WWW.FORMULAD.COM](http://WWW.FORMULAD.COM)

**FACEBOOK:** /FORMULADRIFT

**TWITTER:** @FORMULADRIFT

**INSTAGRAM:** @FORMULAD